



SHREE METAL PRODUCTS

Empowering Metal





ABOUT OUR COMPANY

Shree Metal Products, an award winning Star Export House Company, is a Premium Manufacturer of superior metal products, renowned for delivering impeccable quality. Our extensive range includes a diverse selection of Pipe Support Products which includes **CLEVIS HANGER, PIPE CLAMP, RISER CLAMP, CUSHION CLAMP, U-BOLT, LOOP HANGER, RIGID PIPE CLAMP, UNIVERSAL PIPE CLAMP, J-HANGER** and any other precision stamping Products

At **Shree Metals**, we embrace a steadfast commitment to international standards, surpassing client expectations with our exceptional product offerings. Our unwavering focus lies in creating meticulously crafted products that exemplify precision engineering, cutting-edge technology, and seamless integration with prevailing market trends. We pride ourselves on our adaptability, tailoring our approach to cater to the unique requirements of each client, enabling us to secure a prominent position in both the domestic and international pipe support fasteners and fittings market.

Central to our ethos is our dedication to empowering our esteemed customers, helping them thrive in the global marketplace. We endeavor to provide them with products that consistently meet and exceed global industry standards, facilitating their expansion and ensuring a hassle-free experience. This is how our extensive product range reaches a diverse clientele across various geographical regions. Our commitment to excellence is further underscored by our comprehensive selection of UL certified components, guaranteeing the highest levels of quality and reliability.





Infrastructure: Our state-of-the-art infrastructure is a testament to our unwavering pursuit of perfection. Spanning a vast expanse, our facility boasts meticulously designed units dedicated to manufacturing, quality testing, research and development, as well as warehousing and packaging. Equipped with advanced, automated machinery, our highly skilled team operates with unparalleled precision, ensuring the finest quality output.

Electroplating Facility: Proudly recognized as a leading electroplating facility in Southeast Asia, our state-of-the-art plating facility is a testament to our unwavering commitment to excellence. Leveraging cutting-edge automation, we have streamlined our processes, minimizing reliance on manual labor. The trust and confidence bestowed upon us by our esteemed customers are a testament to our unrivaled plating quality. With rigorous in-house quality control measures, we meticulously maintain all parameters to deliver products of utmost precision, ensuring our customers receive only the best-in-class plated products.



QUALITY ASSURANCE

YOUR UL APPROVED PARTNER

Welcome to our world of excellence, where international quality standards reign supreme. As an ISO 9001:2008 certified organization, we epitomize a commitment to unrivaled quality throughout our business processes. Our unwavering dedication to maintaining the highest quality level in our products is a testament to our expertise and professionalism. At the heart of our pursuit of excellence lies an experienced team of quality controllers. These meticulous professionals diligently conduct an array of stringent quality checks during the entire manufacturing process. Our clear emphasis is on delivering products of remarkable quality to our esteemed international customers, fostering their unwavering trust in our brand. Not only do we adhere to ISO 9001:2008 standards, but we also boast UL certification for our products. We meticulously follow all guidelines prescribed by the UL authorities to meet and surpass their stringent quality norms. Our in-house quality control department, in conjunction with leading external laboratories, works assiduously to provide accurate certifications. From conducting exhaustive raw material testing to verifying finished products and coatings through both destructive and

nondestructive testing, we leave no stone unturned in ensuring superior quality. To ensure our products stand out in the market for their exceptional quality, we impose rigorous quality checks at every stage of production. Our in-house facility boasts cutting-edge capabilities to conduct various tests, including but not limited to the Go/No Go Test, Surface Plating Thickness Test, Salt Spray Test, Load Test, and Dimensions Test. These tests are essential components of our unwavering pursuit of delivering unparalleled quality. In our quest for continuous improvement, we have also partnered with certified laboratories. These esteemed partners conduct constant quality tests for all our products, reinforcing our commitment to exceeding expectations. As leaders in our industry, we continuously strive to raise the bar of excellence. Our devotion to international quality standards, coupled with our seasoned team, state-of-the-art facilities, and valued partnerships, positions us as the go-to experts in delivering products of unparalleled quality. We take immense pride in our legacy of excellence and remain steadfast in our mission to set new benchmarks for quality in the global market.



OUR PRODUCTS

CLEVIS HANGER

Standard Duty

Model: SMP-CHEG, SMP-CHP, SMP-CHSS304 & SMP-CHSS316

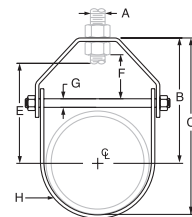
SIZE: Standard Duty: 1/2" thru 24"

FINISH: Electro-Galvanized, Plain, Stainless Steel 304 & Stainless Steel 316

FUNCTION: Allows vertical adjustment of pipe after installation

FEATURES:

- Maximum temperature Plain 650° F, Galvanized 450° F
- Conforms with Federal Specification WW-H-171 (Type 1), A-A-1192A (Type 1) ANSI/MSS SP-69 and MSS 58 (Type 1)
- When using an oversize clevis, it is recommended to install a full-width spacer on the cross bolt to prevent failure due to disfiguring the U-strap
- When using insulated pipe, order hanger sized to correspond to overall dimension. It is also recommended to use insulation shields



Clevis Hanger: Loads (LBS) • Weights (LBS) • Dimensions (IN)

SIZE	MAX LOAD	WEIGHT	A ROD SIZE	B	C	E ROD TAKE OUT	F ADJUSTMENT	G	H WIDTH LOWER
1/2	730	0.31	3/8	1 5/8	2 1/8	1 1/2	5/8	1/4	1
3/4	730	0.33	3/8	1 3/4	2 3/8	1 5/16	5/8	1/4	1
1	730	0.34	3/8	2 1/16	2 3/4	1 5/8	5/8	1/4	3/4
1 1/4	730	0.41	3/8	2 3/8	3 5/16	1 11/16	5/8	1/4	1
1 1/2	730	0.43	3/8	2 15/16	3 15/16	2 1/8	7/8	1/4	1
2	730	0.53	3/8	3 1/4	4 1/2	2 5/8	1 1/8	1/4	1
2 1/2	1350	0.74	1/2	3 3/4	5 1/4	3 3/16	1 5/16	3/8	1
3	1350	0.99	1/2	4 1/8	6	4 1/16	1 5/8	3/8	1
3 1/2	1350	0.91	1/2	4 7/16	6 1/2	4 3/16	1 13/16	3/8	1 1/4
4	1430	1.43	5/8	5 3/8	8 1/8	4 1/2	1 11/16	3/8	1 1/4
5	1430	1.62	5/8	6 13/16	9 3/4	5 1/2	1 15/16	3/8	1 3/16
6	1940	3.26	3/4	8 1/4	10 7/8	5 3/4	1 11/16	1/2	1 7/16
8	2000	4.39	3/4	9 1/2	13	7 3/16	2	1/2	1 7/16
10	3600	8.64	7/8	10 7/8	16 1/2	8 7/16	2 1/8	5/8	1 3/4
12	3800	11.32	7/8	12	18 5/8	10 7/8	2 13/16	5/8	2
14	4200	15.05	1	14 1/2	21 3/4	10 11/16	2 11/16	3/4	2
16	4600	21.00	1	15 3/4	23 3/4	12	2 3/4	1	2 1/2
18	4800	25.00	1 1/8	16 1/2	25 1/2	13 15/16	3 1/2	1	2 1/2
20	4800	42.50	1 1/4	18	28	16 7/8	4 1/8	1 1/4	3
24	4800	43.50	1 1/4	20 1/4	32 1/4	18 3/8	4 3/4	1 1/4	3



PIPE CLAMP

Standard Pipe Clamp

Model: SMP-PCEG & SMP-PCP

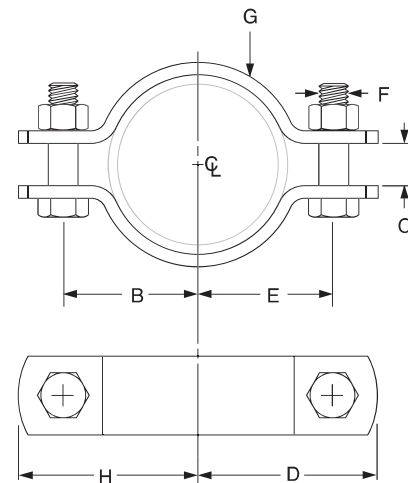
SIZE: Range: 2" thru 6"

FINISH: Electro-Galvanized & Plain

MATERIAL: Carbon steel

FEATURES:

- Maximum temperature Plain 650° F, Galvanized 450° F
- Designed for standard iron pipe
- Complies with Federal Specifications A-A-11 92A (Type 8) and ANSI/SP-69 and SP-58 (Type 8)



Pipe Clamp: Loads (LBS) Weights (LBS) Dimensions (IN)

PIPE SIZE	MAX LOAD 650°	MAX LOAD 750°	WEIGHT	B	C	E	H	D	F	G WIDTH
2	1040	930	1.12	2 ¹ / ₁₆	1/2	2 ¹ / ₁₆	2 ¹ / ₂	2 ¹ / ₂	1/2	1
2 ¹ / ₂	1040	930	1.20	2 ⁵ / ₈	5/8	2 ⁵ / ₈	3 ¹ / ₈	3 ¹ / ₈	1/2	1
3	1040	930	1.35	2 ¹³ / ₁₆	5/8	2 ¹³ / ₁₆	3 ¹ / ₄	3 ¹ / ₄	1/2	1
3 ¹ / ₂	1040	930	1.50	3 ³ / ₁₆	5/8	3 ³ / ₁₆	3 ¹ / ₂	3 ¹ / ₂	1/2	1
4	1040	930	2.25	3 ³ / ₈	3/4	3 ³ / ₈	4 ¹ / ₆	4 ¹ / ₆	5/8	1
5	1040	930	4.04	4 ¹ / ₈	3/4	4 ¹ / ₈	4 ³ / ₄	4 ³ / ₄	5/8	1 ³ / ₁₆
6	1615	1440	5.39	4 ⁷ / ₈	7/8	4 ⁷ / ₈	6	6	3/4	1 ³ / ₁₆



RISER CLAMP

Standard Riser Clamp

Model: SMP-RCEG & SMP-RCP

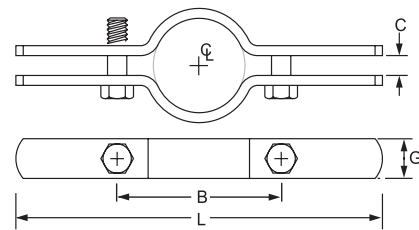
SIZE: Range: 2" thru 12"

FINISH: Electro-Galvanized & Plain

MATERIAL: Carbon steel

FEATURES:

- Maximum temperature Plain 650° F, Galvanized 450° F
- Designed for standard iron pipe
- Complies with Federal Specifications A-A-11 92A (Type 8) and ANSI/SP-69 and SP-58 (Type 8)



Riser Clamp - Plain & Galv: Loads (LBS) Weights (LBS) Dimensions (IN) Torque Values (FT-LBS)

TUBE SIZE	MAX LOAD	WEIGHT	L	G WIDTH	B	C	BOLT SIZE	TORQUE VALUES
2"	300	1.16	10¼	¾	4¼	½	⅛	19
2½"	400	1.32	11	13/16	4¾	½	3/8	19
3"	500	1.56	11¾	13/16	5½	½	3/8	19
3½"	600	1.70	12½	13/16	6½	½	3/8	19
4"	750	1.70	13	1	7	½	½	50
5"	1500	3.45	14	17/16	8	½	½	50
6"	1600	3.70	15¼	1½	9	½	½	50
8"	2500	7.40	18¼	1½	12	5/8	5/8	50
10"	2500	11.00	20	2	13¾	5/8	5/8	65
12"	2700	16.25	22¼	2	15¾	5/8	5/8	65



CUSHION CLAMP

Tube Size

Model: SMP-CC

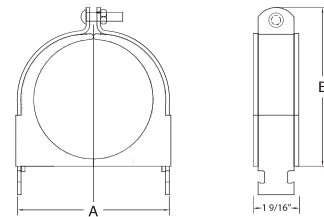
SIZE: Range: 3/8" thru 4 1/8"

FINISH: Yellow di-chromate

FUNCTION: Fits any standard 1 5/8" wide strut channel

FEATURES:

- Ideal for multiple runs while absorbing shock and vibration, reducing unwanted noise and preventing galvanic corrosion
- Interlock edges and channel locator legs help ensure that the cushion remains in place
- Temperature range: -65F to 275F



Cushion Clamp: Loads (LBS) Weights (LBS) Dimensions (IN)

SIZE	MAX LOAD	WEIGHT	COPPER TUBE (O.D)	A	B
3/8	400	0.11	1/4 (0.375)	0.85	1.16
1/2	400	0.13	3/8 (0.500)	0.97	1.37
5/8	400	0.14	1/2 (0.625)	1.05	1.54
3/4	600	0.14	5/8 (0.750)	1.23	1.71
7/8	600	0.15	3/4 (0.875)	1.30	1.89
1 1/8	600	0.18	1 (1.125)	1.52	2.14
1 3/8	600	0.20	1 1/4 (1.375)	1.80	2.31
1 5/8	600	0.25	1 1/2 (1.625)	2.10	2.63
2 1/8	800	0.46	2 (2.125)	2.71	3.31
2 5/8	800	0.51	2 1/2 (2.625)	3.17	3.90
3 3/8	800	0.60	3 (3.125)	3.66	4.43
4 1/8	1000	0.94	4 (4.125)	4.85	5.68



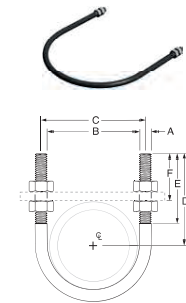
U-BOLT

Standard U-Bolt with Nuts Model: SMP-UBEG & SMPUBP

SIZE: Range: 1/2" thru 8" **FINISH:** Electro-Galvanized & Plain

MATERIAL: Carbon steel U-bolt and four finished hex nuts

- FEATURES:**
- 4 finished hex nuts
 - Conforms with Fed. Specification A-A-1192A (Type 24), WW-H-171-E (Type 24), MSS SP-69 and MSS SP-58 (Type 24)



U-BOLT: Loads (LBS) Weights (LBS) Dimensions (IN)

PIPE SIZE	MAX LOAD	WEIGHT	A RODE SIZE	B	C	D	E	F
1/2	580	0.10	1/4	1 1/16	1 3/16	2 3/4	2 1/8	2 5/16
3/4	580	0.10	1/4	1 1/8	1 3/8	2 3/4	2 1/8	2 7/32
1	580	0.11	1/4	1 3/8	1 5/8	2 3/4	2 1/8	2 3/32
1 1/4	1460	0.28	3/8	1 11/16	2 1/16	2 7/8	2 1/8	2 1/31
1 1/2	1460	0.30	3/8	2	2 3/8	3	2 1/2	2 1/16
2	1460	0.32	3/8	2 7/16	2 13/16	3 1/4	2 1/2	2 1/16
2 1/2	2700	0.71	1/2	2 15/16	3 7/16	3 3/4	3	2 5/16
3	2700	0.78	1/2	3 9/16	4 1/16	4	3	2 1/4
3 1/2	2700	0.85	1/2	4 1/16	4 9/16	4 1/4	3	2 1/4
4	2700	0.90	1/2	4 9/16	5 1/16	4 1/2	3	2 1/4
5	2700	1.00	1/2	5 5/8	6 1/8	5	3	2 7/32
6	4320	1.95	5/8	6 3/4	7 3/8	6 1/8	3 3/4	2 13/16
8	4320	2.30	5/8	8 3/4	9 3/8	7 1/8	3 3/4	2 13/16

STRUT CLAMPS

UNIVERSAL PIPE CLAMP Model: SMP-UPC

SIZE: 1/2" thru 2" **FINISH:** Electro-zinc plated

FEATURES: Support and tighten pipe



DESCRIPTION	BOX QTY.
1/2" UNIVERSAL PIPE CLAMP	100
3/4" UNIVERSAL PIPE CLAMP	100
1" UNIVERSAL PIPE CLAMP	100
1 1/4" UNIVERSAL PIPE CLAMP	100
1 1/2" UNIVERSAL PIPE CLAMP	100
2" UNIVERSAL PIPE CLAMP	100



LOOP HANGER

Nominal Pipe Size Loop Hanger

Model: SMP-LH

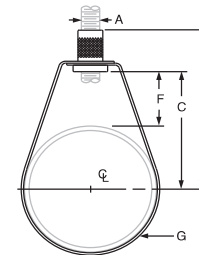
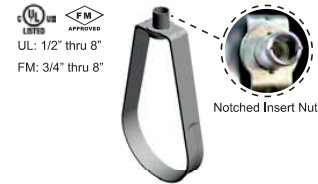
SIZE: 1/2" thru 8"

FINISH: Electro-Galvanized & Black vinyl coating

FUNCTION: Recommended for the suspension of stationary non-insulated pipe lines

FEATURES:

- A keyed insert nut to ensure that the loop hanger and insert nut stay together
- Insert nut can be removed if required
- Complies with Federal Specification A-A-1192A (Type 10) WW-H-171-E (Type 10), ANSI/MSS SP-69 AND MSS SP-58 (Type 10)
- NFPA standards for reduced rod sizes for Electro Galvanized only
- UL Approval for use with CPVC pipe



Loop Hanger: Loads (LBS) Weights (LBS) Dimensions (IN)

PIPE SIZE	MAX LOAD	WEIGHT	A RODE SIZE	B	C	F	G WIDTH
1/2	300	0.10	3/8	2 7/16	1 7/16	1 1/16	5/8
3/4	300	0.10	3/8	2 11/16	1 11/16	1 1/8	5/8
1	300	0.10	3/8	2 13/16	1 13/16	1 1/8	5/8
1 1/4	300	0.11	3/8	2 7/8	1 7/8	1 1/16	5/8
1 1/2	300	0.11	3/8	3	2	1 1/16	5/8
2	300	0.14	3/8	3 3/16	2 3/16	1 1/16	5/8
2 1/2	300	0.19	3/8	4 9/16	3 5/16	1 7/8	7/8
3	1000	0.23	3/8	5	3 3/4	2	7/8
3 1/2	1000	0.23	1/2	5	3 3/4	2	7/8
4	1000	0.30	3/8	6	4 11/16	2 3/8	7/8
5	1000	0.50	1/2	6 1/2	5 1/4	2 7/16	3/4
6	1250	0.58	1/2	7 3/4	6 3/16	2 7/8	3/4
8	1250	0.90	1/2	9 5/16	7 11/16	3 3/8	7/8



STRUT CLAMPS

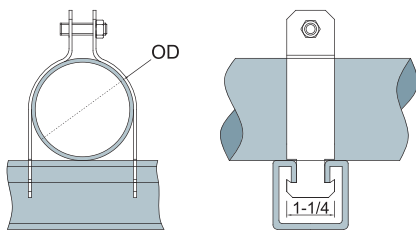
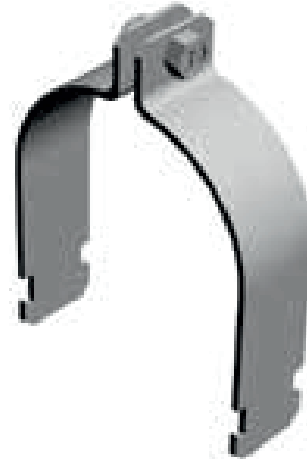
RIGID PIPE CLAMP

Model: SMP-RPC

SIZE: 3/8" thru 12"

FINISH: Electro-zinc plated

FUNCTION: Support and tighten pipe



Rigid Pipe Clamp: Loads (LBS) Weights (LBS) Dimensions (IN)

NOM PIPE SIZE	MAX LOAD	WEIGHT	O.D.
3/8	400	0.47	.675
1/2	400	0.40	.840
3/4	600	0.47	1.050
1	600	0.40	1.315
1 1/4	600	0.47	1.660
1 1/2	800	0.40	1.900
2	800	0.47	2.375
2 1/2	800	0.40	2.875
3	800	0.47	3.500
3 1/2	1000	0.40	4.000
4	1000	0.47	4.500
5	1000	0.62	5.563
6	1000	0.67	6.625
8	1000	0.80	8.625
10	1000	1.27	10.75
12	1000	1.49	12.75



PIPE HANGERS

J-HANGER

Model: SMP-JH

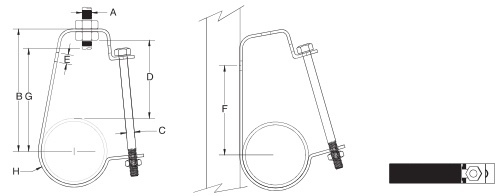
SIZE: Range: 1/2" thru 8"

FINISH: Electro-Galvanized

MATERIAL: Carbon steel

FEATURES:

- Conforms with Federal Specification A-A-1192A (Type 5), ANSI/MSS SP-69 and MSS SP-58 (Type 5)



J-Hangers: Loads (LBS) Weights (LBS) Dimensions (IN)

SIZE	MAX LOAD	WEIGHT	A	B	C	D	E	F	G	H WIDTH
1/2	400	0.183	3/8	2 5/8	1/4	1 3/4	7/16	1 1/2	1 15/16	1
3/4	400	0.183	3/8	2 7/8	1/4	1 7/8	7/16	1 11/16	2 1/8	1
1	400	0.203	3/8	2 15/16	1/4	1 15/16	7/16	1 13/16	2 5/16	1
1 1/4	400	0.218	3/8	3 1/4	1/4	2	7/16	2 1/16	2 5/8	1
1 1/2	400	0.238	3/8	3 9/16	1/4	2 3/16	7/16	2 7/16	2 7/8	1
2	400	0.28	3/8	3 11/16	1/4	2 1/8	7/16	2 9/16	3 1/16	1
2 1/2	800	0.582	1/2	4 7/16	3/8	2 7/16	9/16	3 3/16	3 5/8	1 1/4
3	800	0.659	1/2	4 13/16	3/8	2 9/16	9/16	3 1/2	4 1/16	1 1/4
4	800	1.03	5/8	6 1/8	3/8	3 3/16	9/16	4 5/8	5 3/16	1 1/4
5	800	1.371	5/8	6 3/4	3/8	3 1/4	9/16	5 1/16	5 3/4	1 1/4
6	1000	2.566	3/4	7 3/4	3/8	3 9/16	9/16	5 13/16	6 5/8	1 1/4
8	1200	4.21	3/4	10 7/16	3/8	5 3/4	9/16	8 1/4	9 15/16	2



PIPE HANGERS

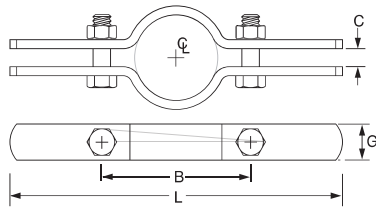
RISER CLAMP Standard Riser Clamp

SIZE: Range: 1/2" thru 4"

FINISH: Copper-Colored Epoxy (PC)

MATERIAL: Carbon steel

- FEATURES:**
- Maximum temperature Plain 650 F, Galvanized 450 F
 - Designed for standard iron pipe Complies with Federal
 - Specifications A-A-1192A (Type 8), WW-H-171-E (Type 8), ANSI/MSS SP-69 AND MSS SP-58 (Type 8)



Riser Clamp - PC:
Loads (LBS) Weights (LBS)
Dimensions (IN)
Torque Values (FT-LBS)

TUBE SIZE	MAX LOAD	WEIGHT	L	G WIDTH	BOLT SIZE	TORQUE VALUES
1/2"	75	0.63	9	1 3/16	3/8	19
3/4"	75	0.65	9	1 3/16	3/8	19
1"	120	0.70	9	1 3/16	3/8	19
1 1/4"	150	0.72	9	1 3/16	3/8	19
1 1/2"	150	1.08	10	1 3/16	3/8	19
2"	150	1.19	10 1/4	1 3/16	3/8	19
2 1/2"	300	1.23	11	1 3/16	3/8	19
3"	300	1.34	11 3/4	1 3/16	3/8	19
4"	300	1.71	12 1/2	1 1/4	3/8	50

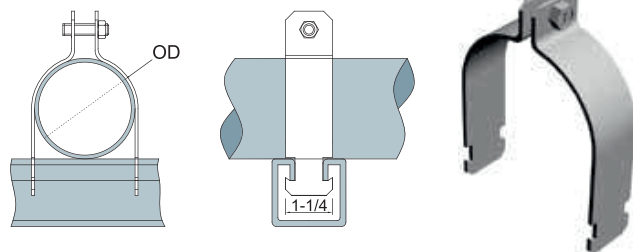
STRUT CLAMPS

EMT STRUT CLAMP Model: EMT

SIZE: Range: 1/2" thru 2"

FINISH: Electro-zinc plated

FUNCTION: Support and tighten EMT conduit



Rigid Pipe Clamp: Loads (LBS)
• Weights (LBS)
• Dimensions (IN)

NOM PIPE SIZE	MAX LOAD	WEIGHT	O.D.
1/2	400	0.10	.706
3/4	400	0.11	.992
1	600	0.14	1.163
1 1/4	600	0.16	1.510
1 1/2	800	0.26	1.740
2	800	0.32	2.197



PIPE HANGERS

CLEVIS HANGER

Copper Colored Epoxy - Light Duty

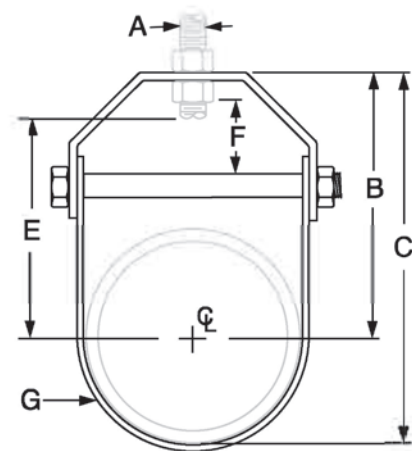
SIZE: Range: 1/2" thru 4"

FINISH: Copper-Colored Epoxy (PC)

FUNCTION: Allows vertical adjustment of pipe after installation

FEATURES:

- Maximum temperature Plain 650 F, Galvanized 450' F
- Conforms with Federal Specification WW-H-171-E (Type 1), Manufacturers Standardization Society (MSS) SP-69 (Type 1) and MSS-58 (Type 1)
- When using an oversize clevis, it is recommended to install a full-width spacer on the cross bolt to prevent failure due to disfiguring the U-strap
- When using insulated pipe, order hanger sized to correspond to overall dimension. It is also recommended to use insulation shields



Light Duty Clevis Hanger - PC: Loads (LBS) - Weights (LBS) - Dimensions (IN)

TUBE SIZE	MAX LOAD	WEIGHT	A ROD SIZE	B	C	E ROD TAKE OUT	F ADJUSTMENT
1/2	150	0.09	3/8	1 5/16	2 1/4	1 1/8	3/8
3/4	150	0.10	3/8	1 1/2	1 5/16	1 1/8	7/16
	250	0.14	3/8	1 3/4	2 5/16	1 5/16	9/16
1 1/4	250	0.15	3/8	2 1/16	2 3/4	1 9/16	9/16
1 1/2	250	0.15	3/8	2 7/16	3 5/16	2 1/16	1 5/16
2	250	0.17	3/8	3 7/16	4 1/2	3 3/8	1 3/4
2 1/2	350	0.28	3/8	4 1/2	5 1/16	3 15/16	2 1/8
3	350	0.57	3/8	3 5/8	5 3/16	4	2 1/16
4	400	0.73	3/8	3 5/16	7 3/8"	3 3/8	2 1/8



YOU DEMAND IT AND WE ARE READY TO CREATE IT.

CUSTOMIZATION

OTHER STAMPING PRODUCTS



With expertise in manufacturing Stamping products backed by a highly experienced and dedicated team of employees, we can develop and supply stamping products as per Customer requirements. We are ready to manufacture custom designed products as envisioned by our esteemed customers.



SHREE METAL PRODUCTS with a saga of strength, dedication and achievement, has established itself in manufacturing and exporting comprehensive range of superior quality **PIPE SUPPORT PRODUCTS AND PRECISION STAMPING PRODUCTS**



CONTACT US

FACTORY

-  SY No 61 Haladkeri K, Bidar, Karnataka-585403
-  +91 9738 222 992

OFFICE

-  8-2-293/82/a/645a 2nd Floor B2, Space & More Business Park Road No:36, Jubilee Hills Shaikpet, Hyderabad-500033
-  +91 72870 90021

-  info@shreemetals.com
exports@shreemetals.com
-  www.shreemetals.com